

Gasfilter GF6 / GFF Gas Filters GF6 / GFF

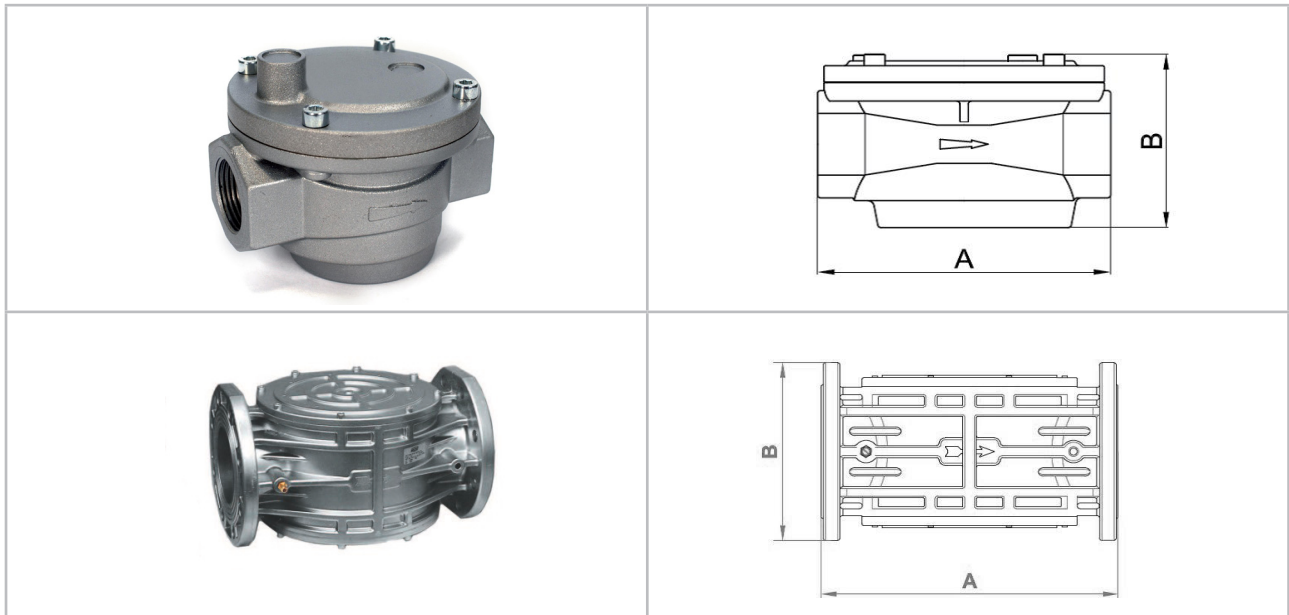


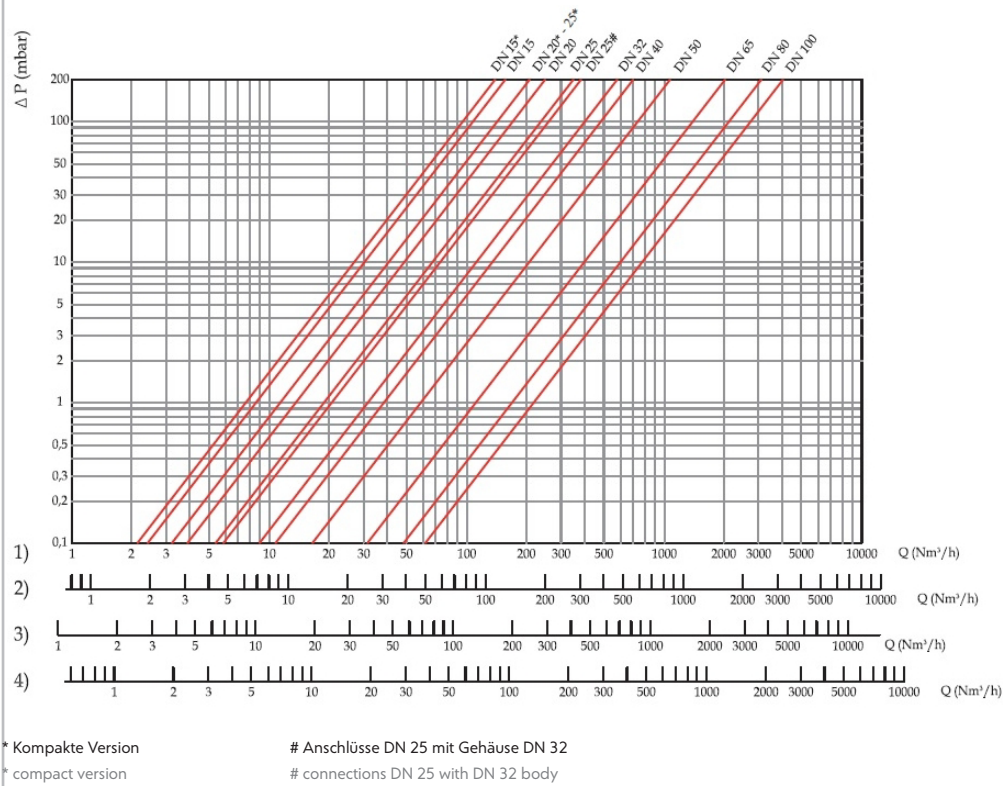
Abbildung ggf. abweichend · picture may be different

Material		Material	
Gehäuse	Aluminiumdruckguss	body	cast aluminium
Deckel	Aluminiumdruckguss	cover plate	cast aluminium
Filtereinsatz	Faservlies (Olefinpolymer)	filter unit	fiber mat (Olefinpolymer)
Dichtung	NBR	sealing	NBR

Merkmale	Details
<ul style="list-style-type: none"> ▶ Filter zur Reinigung von Gasen und zum Schutz nachgeschalteter Geräte, für Gase nach DVGW G260 der 1., 2. und 3. Gasfamilie und nicht aggressive Gase ▶ Schneidringanschlüsse nach ISO 7/1 (Typ GF6) oder mit Flansch nach DIN EN 1092 (Typ GFF, Flanschmaße PN16) ▶ max. Betriebsdruck: 6 bar ▶ Filter: 7 µm ▶ Differenzdruck für neuen Filtereinsatz: 0,1 bar (Richtwert) ▶ Differenzdruck für verschmutzten Filtereinsatz: 1,0 bar ▶ Berst-Differenzdruck: ca. 3 bar <p>auf Anfrage:</p> <ul style="list-style-type: none"> ▶ Prüfbescheinigung nach DIN EN 10204 ▶ andere Anschlüsse ▶ Kennzeichnung mit: AZ, Durchflussrichtung, Material, PN und Ident.-Nr. 	<ul style="list-style-type: none"> ▶ filter for gas treatment and to protect downstream equipment, for gases acc. to DVGW G260 of the 1st, 2nd and 3rd gas family and non aggressive gases ▶ cutting ring connections acc. to ISO 7/1 (type GF6) or with flange acc. to DIN EN 1092 (type GFF, flange dimension PN16) ▶ max. operating pressure: 6 bar ▶ filter: 7 µm ▶ differential pressure for new filter: 0,1 bar (guide value) ▶ differential pressure for dirty filter: 1,0 bar ▶ burst differential pressure: about 3,0 bar <p>on request:</p> <ul style="list-style-type: none"> ▶ test certificate acc. to DIN EN 10204 ▶ other connections ▶ marking with: AZ, flow direction, material, PN and ident.-no.

Gasfilter GF6 / GFF Gas Filters GF6 / GFF

Druckverlustdiagramm
pressure drop chart



Gasfilter GF6 / GFF Gas Filters GF6 / GFF

GF6 - Gasfilter - Innengewinde / Innengewinde GF6 - gas filters - female thread / female thread						
Bezeichnung Type	DN	Druck Pressure	A mm	B mm	kg	Bestell-Nr. Order-No.
GF-15-Rp1/2"-6S	15	6 bar	120	72	0,6	99-015-06S
GF-20-Rp3/4"-6S	20	6 bar	120	72	0,7	99-020-06S
GF-25-Rp1"-6S	25	6 bar	120	72	1,0	99-025-06S
GF-32-Rp1 1/4"-6S	32	6 bar	160	87	2,6	99-032-06S
GF-40-Rp1 1/2"-6S	40	6 bar	160	87	1,3	99-040-06S
GF-50-Rp2"-6S	50	6 bar	160	110	1,6	99-050-06S

GFF - Gasfilter - Flansch / Flansch GFF - gas filters - flange / flange						
Bezeichnung Type	DN	Druck Pressure	A mm	B mm	kg	Bestell-Nr. Order-No.
GFF-025-10S	25	6 bar	192	115	3,2	99-025-10S
GFF-032-10S	32	6 bar	230	150	3,1	99-032-10S
GFF-040-10S	40	6 bar	230	150	3,1	99-040-10S
GFF-050-10S	50	6 bar	230	150	3,0	99-050-10S
GFF-065-10S	65	6 bar	290	180	6,2	99-065-10S
GFF-080-10S	80	6 bar	310	195	6,7	99-080-10S
GFF-100-10S	100	6 bar	350	230	10,7	99-100-10S
GFF-150-10S	150	2 bar	480	235	26	99-150-10S